

September 2015

To our valued customers

## **BL QUICK-CHANGE Changes in Specifications**

BL Autotec announces specification changes on twelve models of our QUICK-CHANGE.

There are three specification changes. New models will be shipped after October 1, 2015 as existing stock is depleted. Our sales staff will inform you which model BL Autotec will ship for orders placed after September 1, 2015. The new specifications are compatible with current models. Thus, there is no problem using both in the same system. Thank you for your continued loyalty to our products.

### <Specification Changes>

1. Change in Locating Pins

Customers will be able to replace Master Plate locating pins on some models.

2. Change in Seal Plate Mounting

The number of screws used to mount the seal plate has increased.

3. Change in Accessories Shipment

The seal plate, O-ring and screws are preinstalled on the Master Plate prior to shipping.

※1. Models with new specifications are shown below in Table 1.

※2. Please also see below for the detailed changes.

Please contact our sales staff if you have any questions about the specification changes.

## <Models Subject to Change>

Table 1 shows the list of models subject to change.

Table 1. Models Subject to Change and Modification Points

Current Model Part Number	New Model Part Number	Locating Pin Modification	Seal Plate Mounting Modification	Increased Number of Mounting Screws
<b>QC-10A</b>	<b>QC-10B</b>	-	○	M3×4
<b>QC-20C</b>	<b>QC-20D</b>	○	○	M3×4
<b>Flex-40A</b>	<b>Flex-40B</b>	○	○	M3×6
<b>QC-60C</b>	<b>QC-60D</b>	○	○	M4×6
<b>Flex-70</b>	<b>Flex-70A</b>	○	○	M4×6
<b>Flex-100A</b>	<b>Flex-100B</b>	○	○	M5×6
<b>QCP-100</b>	<b>QCP-100A</b>	○	○	M5×6
<b>QC-150B</b>	<b>QC-150C</b>	○	○	M5×8
<b>Flex-300</b>	<b>Flex-300A</b>	-	○	M6×8
<b>USP-100</b>	<b>USP-100A</b>	-	○	M4×7
<b>GC-150B</b>	<b>GC-150C</b>	○	○	M6×6
<b>GC-300</b>	<b>GC-300A</b>	-	○	M6×8

※The new models are compatible with the current models.

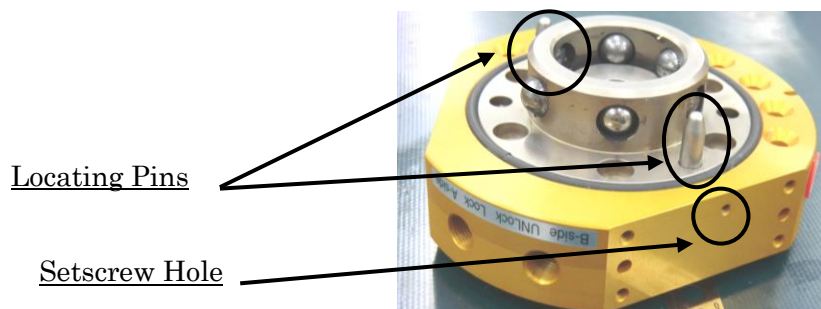
※Only the Master Plate is subject to changes in specifications. However, the Tool Plate part number will also change.

## <Modifications>

### 1. Modification of Master Plate Locating Pins

The locating pins can be fixed by setscrews from the side, so customers can replace the pins.

(Refer to Figure 1)



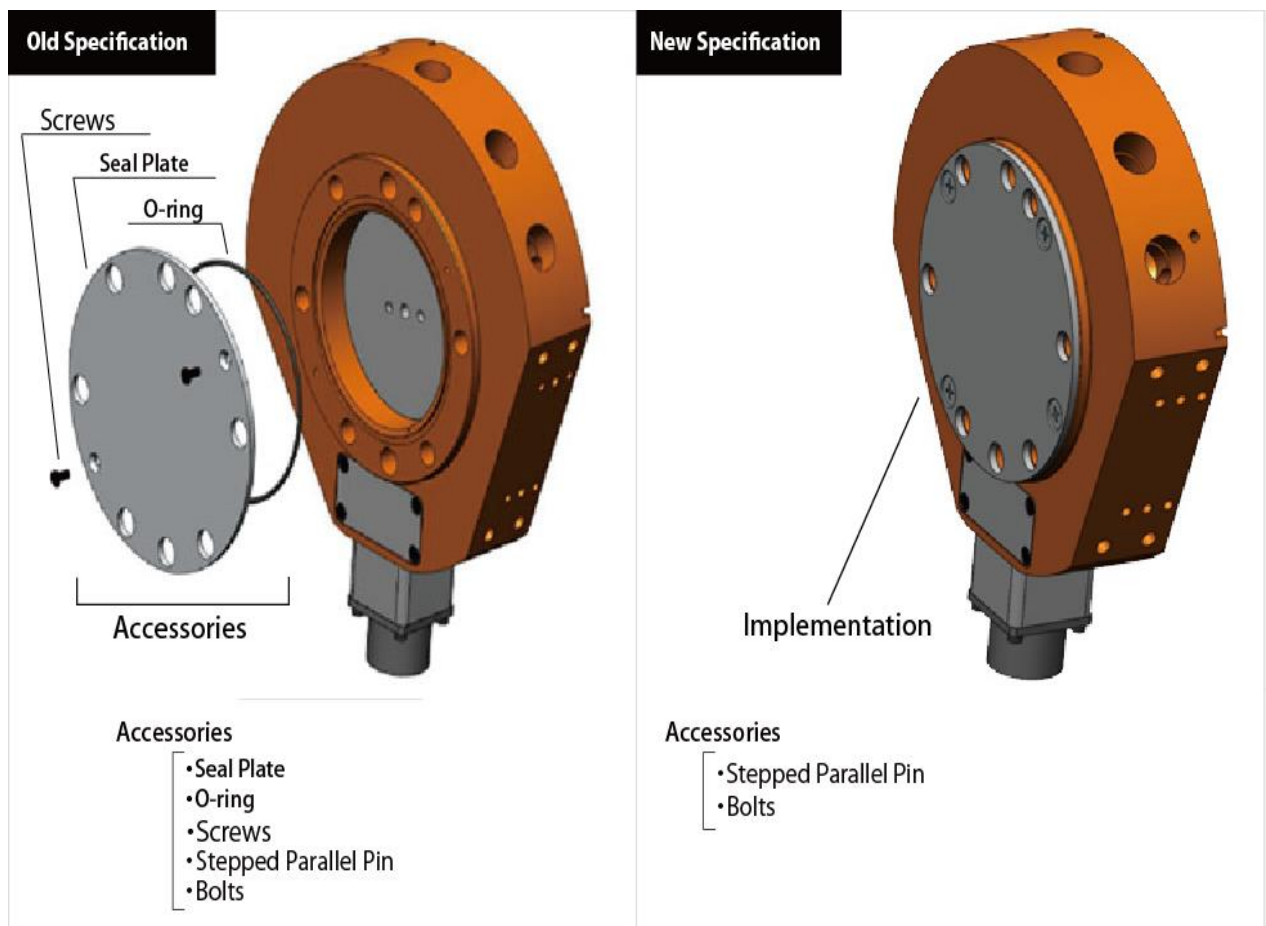
## 2. Modification in Number Screws Used for Seal Plate Mounting

The number of the screws increased. The number differs by model. Please see Table 1 for the number of screws.

## 3. Modification in Accessory Shipment

In shipments after the specification change, accessories (seal plate, O-ring and screws) will be preinstalled on the Master Plate. Customers not using the seal plate should remove it before installing the Master Plate. (Refer to Figure 2.) The mounting screws for the robot flange and stepped parallel pin for positioning are shipped as accessories as in the past.

(Refer to Figure 2)



Sincerely,

Masanori Tsuchida  
General Manager  
BL Autotec, Ltd.